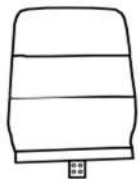


# ADMON A-106B

Ax1



Fx1



Bx1



Gx5



Cx2



Hx4



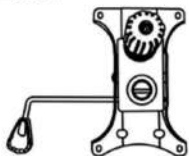
M6x20mm

Ix4



M6x25mm

Dx1

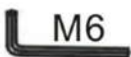


Jx4



M8x40mm

Kx1



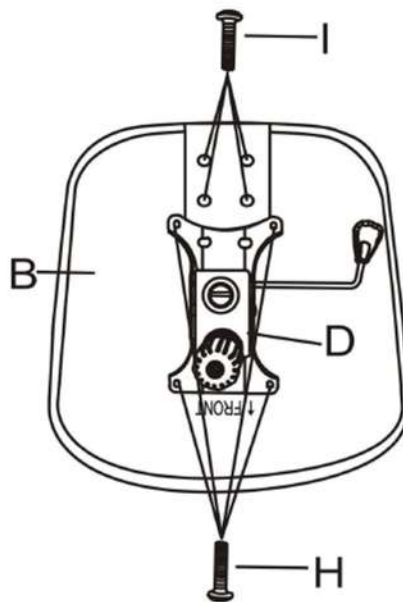
Lx1



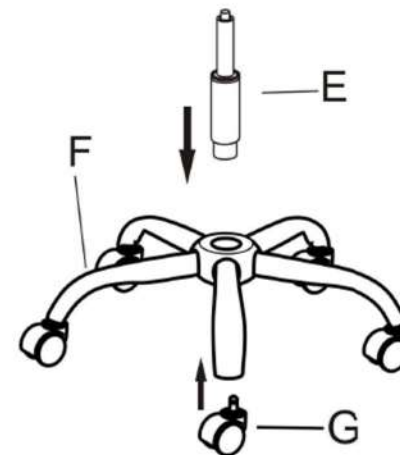
Ex1



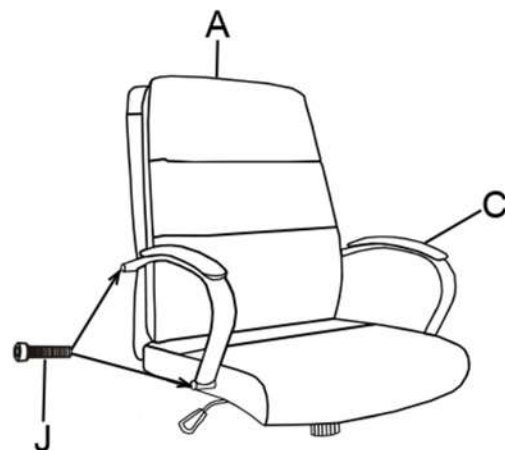
①



②



③



④

